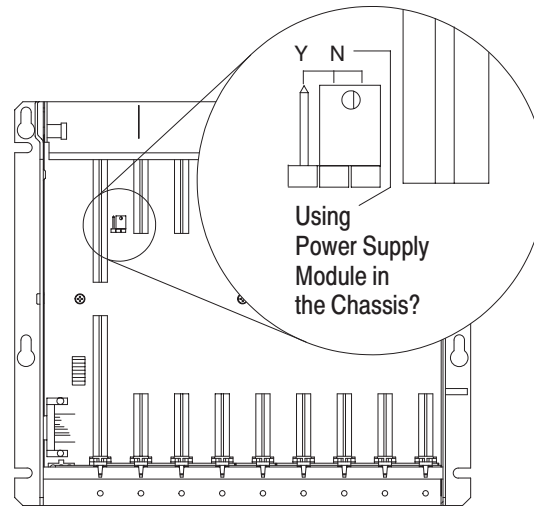


Before installing the power supply, you should:

- mount the I/O chassis that the power supply will be connected to. See the Universal I/O Chassis Installation Data (1771-2.210) for information on mounting the I/O chassis.
- set the power supply configuration jumper on the I/O chassis. The 1771-P7 is an external power supply. Set the configuration jumper to the N position.

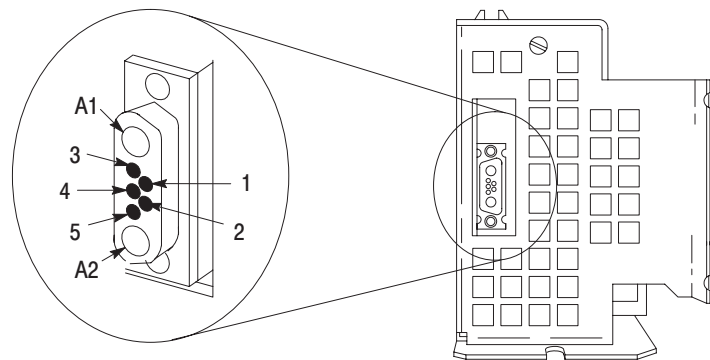


12620-1

Install the 1771-P7 and Connect Backplane Power

The power supply has a D-shell power connector that provides power to the I/O chassis backplane.

- A1 backplane common
- A2 backplane +5V dc
- 1 no connection
- 2 backplane processor enable
- 3 backplane +5V dc sense
- 4 backplane signal ground sense
- 5 no connection



bottom view of power supply

13445

If you have this I/O chassis	Use this power cable ¹	To connect a 1771-P7 mounted
1771-A3B	1771-CP2	within 1.52m (5ft) of the I/O chassis
1771-A1B, -A2B, -A3B1, or -A4B	1771-CP1	within 0.32m (1.04ft) on the left-side of the I/O chassis
	1771-CP2	within 1.52m (5ft) of the I/O chassis
	1771-CP3 (right angle connector)	within 1.68m (5.5ft) of the I/O chassis

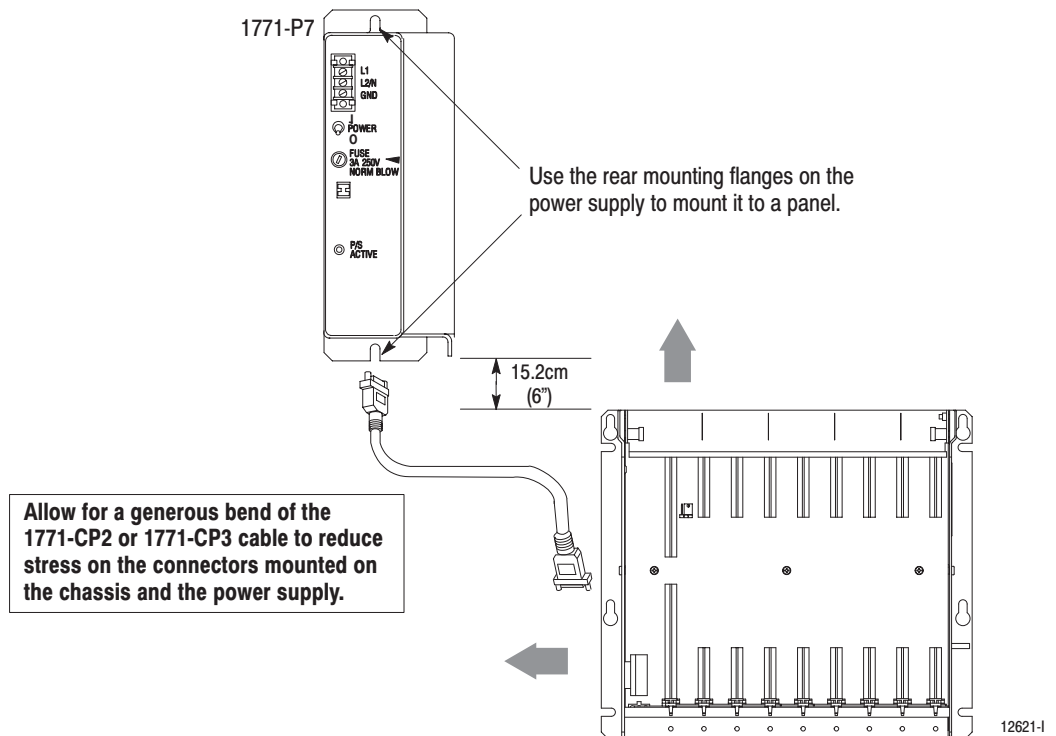
¹ Power supply cable is not shipped with the power supply.

If you are mounting the power supply	Go to
on the left side of a panel-mounted I/O chassis	next section
separately from an I/O chassis	page 9

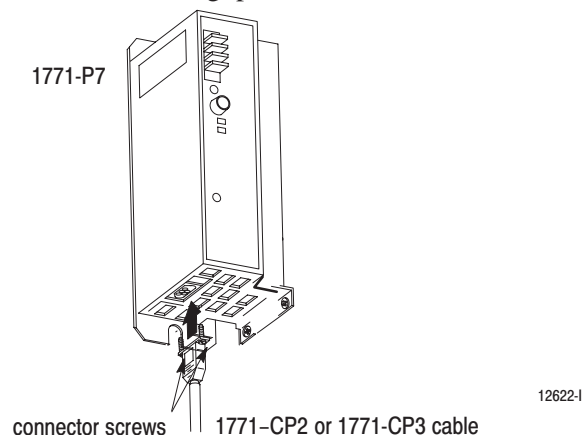
Mounting the Power Supply Separately

When mounted separately, the power supply may be mounted above or next to the I/O chassis. It may **not** be mounted below, since it is necessary to allow convection cooling of both the power supply and the I/O chassis. A minimum vertical distance of 6 inches (15.2cm) should be maintained.

1. Mount the power supply vertically, above and within the specified cable-feet (for your cable) of the D-shell connector on the I/O chassis.



2. Connect one end of the power cable to the D-shell connector located on the bottom of the power supply and tighten the connector screws until snug, plus 1/4 turn.

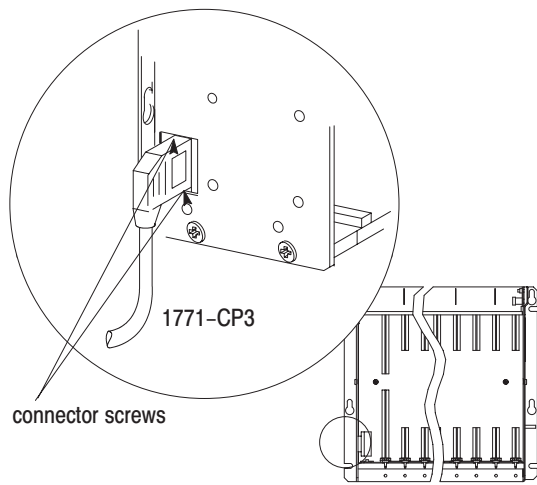


WARNING

If you connect or disconnect the power supply cable with power applied an electrical arc can occur. This could cause an explosion in hazardous location installations. Be sure power is removed or the area is nonhazardous before proceeding.

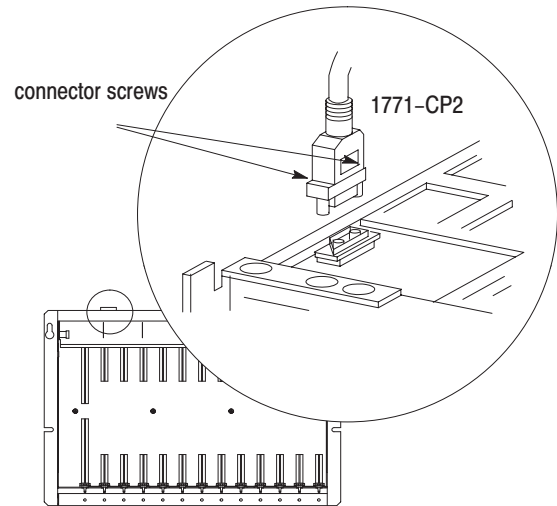
3. Connect the other end of the power cable to the D-shell connector on the I/O chassis and tighten the connector screws until snug, plus 1/4 turn.

1771-A1B, -A2B, -A3B1, -A4B I/O chassis



12623-I

1771-A3B I/O chassis



12624-I